

Intenergy

Classic Series

INE-250MB-60

Eclipse Black

Monocrystalline Silicon Solar Module

Eclipse Black

The Eclipse Black is the only true TRIPLE BLACK module in the market.

UNIQUE



- ✓ Module efficiency 15.82%
- ✓ Cell efficiency 18.3%
- ✓ Positive output tolerance of $-0/+3\%$
- ✓ 1.8m cable for easy landscape installation
- ✓ Concealed busbars and solder, offer a uniform, sleek finish
- ✓ Low-iron tempered glass & high quality EVA and TPT
- ✓ Integrated bypass diodes to protect the solar cell circuit from hot-spots during partial shading
- ✓ Anodized aluminium frame improves load resistance capabilities for heavy wind loads
- ✓ IEC61730 safety rated for high wind pressure, hail impact, snow load and fire, certified against salt mist corrosion

12 year manufacturing guarantee

12 year performance warranty of 90% of original power output

25 year performance warranty of 80% of original output



MANUFACTURER
Perlight Solar Co Ltd
Muya Administration District
Wenling, Zhejiang
317521, China
Email: sales@intenergysolar.com

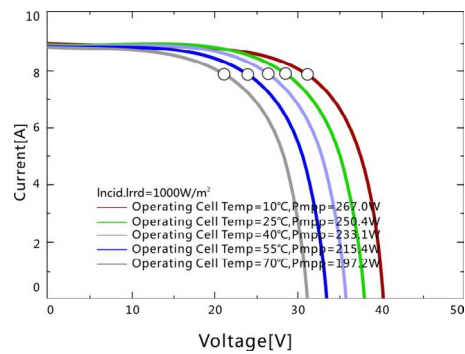
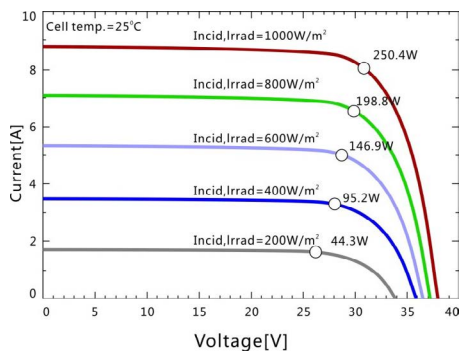
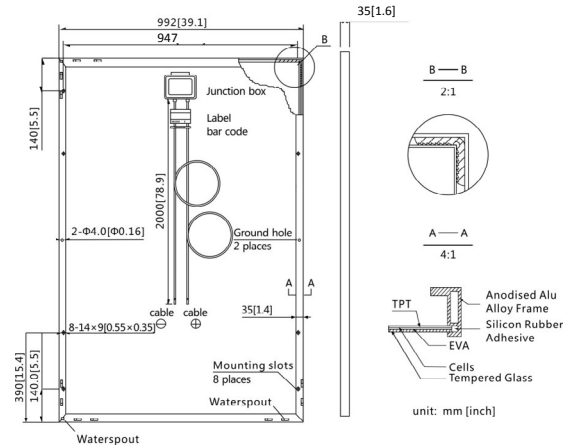
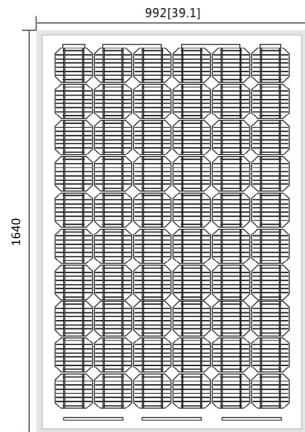
UK STOCKIST
Solarvis Energy Ltd
Genesis House, Priestley Way, Crawley
West Sussex, RH10 9PR, UK
Tel: 01293 843 400 Fax: 01293 652 480
Email: sales@solarvis.energy

Intenergy

Manufactured by
PERLIGHT SOLAR

Intenergy

Classic Series INE-250MB-60 Eclipse Black Monocrystalline Silicon Solar Module



Model	INE-ECLIPSE 250MB-60	INE- 250MB-60	INE-250M-60
Pm	250W	250W	250W
Vmp	30.49	30.49	30.49
Imp	8.20	8.20	8.20
Voc	38.00	38.00	38.00
Isc	8.78	8.78	8.78
Max. system voltage	1000V DC	1000V DC	1000V DC

NOCT	45°C+2°C
Isc	0.06%/°C
Voc	-0.34%/°C
Pmax	-0.45%/°C
Power Tolerance	-0/+3%
Working Temperature	-40°C to 85°C

MANUFACTURER
Perlight Solar Co Ltd
Muya Administration District
Wenling, Zhejiang
317521, China
Email: sales@intenergysolar.com

UK STOCKIST
Solarvis Energy Ltd
Genesis House, Priestley Way, Crawley
West Sussex, RH10 9PR, UK
Tel: 01293 843 400 Fax: 01293 652 480
Email: sales@solarvis.energy

Intenergy
Manufactured by
PERLIGHT SOLAR